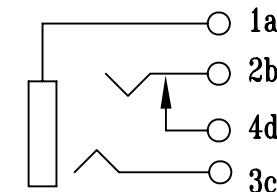
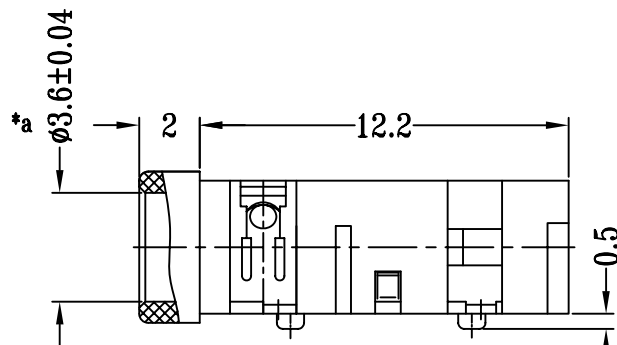
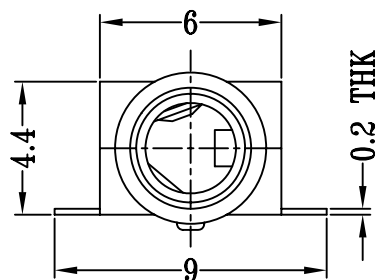
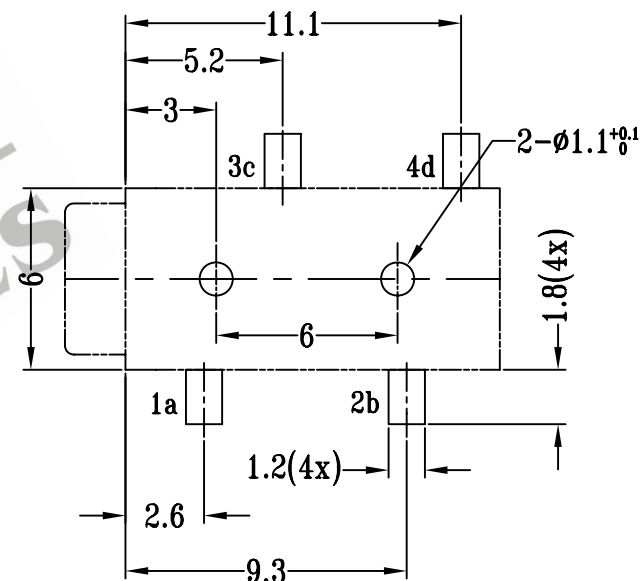
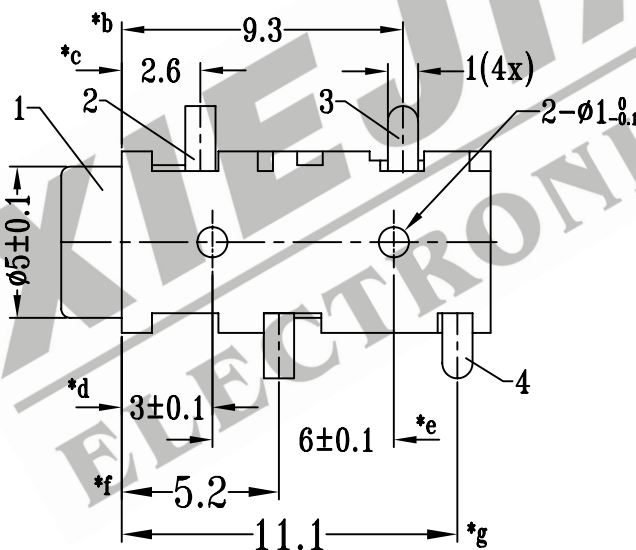


CAD FILE:



SCHEMATIC



P.C.B LAYOUT

注:带"*"表示关键尺寸(7个)

8					TOLERANCE UNLESS SPECIFIED	SHENZHEN XIEJIA ELECTRONICS CO.,LTD.				
7										
6					WITHIN: 1.5±0.1mm OVER: 1.5±0.2mm	ISSUE	DATE	DESCRIPTIONS OF REVISION		APPD.
5										
4	TERMINAL C	BRASS STRIP	1	Ag (0.5μm) PLATED OVER Cu (2μm) PLATED	TITLE : PHONE JACK		UNIT : mm	DRWG NO.: ST-DR-ST309-00		
3	SPRING TERMINAL B	PBS C5210R-SH	1	Ag (0.5μm) PLATED OVER Cu (2μm) PLATED						
2	SPRING TERMINAL A	PBS C5191R-H	2	Ag (0.5μm) PLATED OVER Cu (2μm) PLATED	MODEL: ST-309		SCALE: 4:1	DWN.	ZHOUYU	2004-8-14
1	CASE	LCP	1	BLACK				CHK'D	FANGYING	2004-8-14
NO.	PARTS	MATERIALS	Q'TY	FINISH	ALL MATERIALS MUST BE COMPLIANT TO ROHS			APPD.	KANGXINAN	2004-8-14